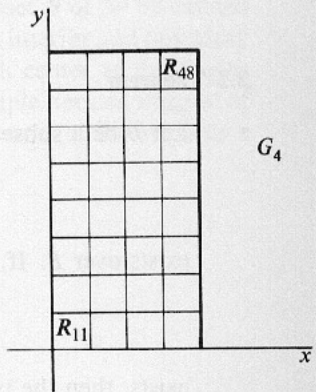
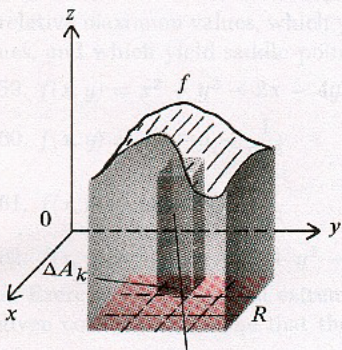


(a)



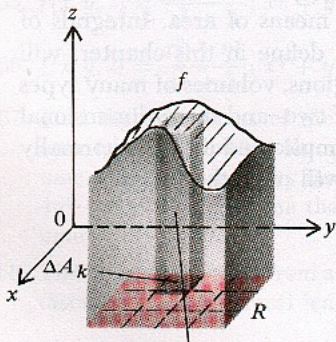
(b)

Figure 11



Inscribed parallelepiped
of height m_k

(a)



Circumscribed parallelepiped
of height M_k

(b)

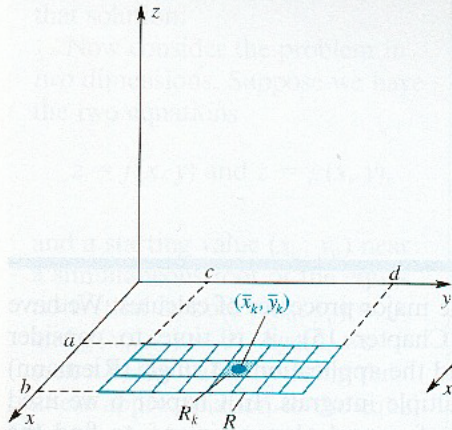


FIGURE 1

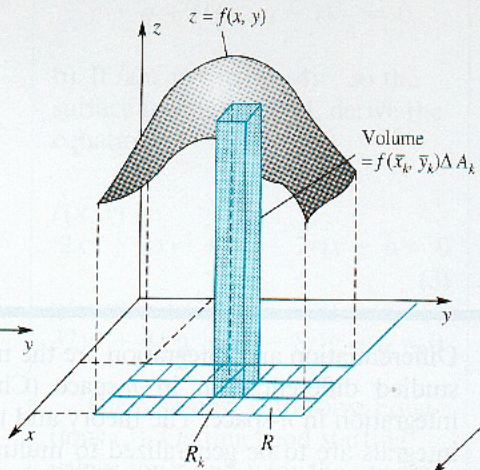


FIGURE 2

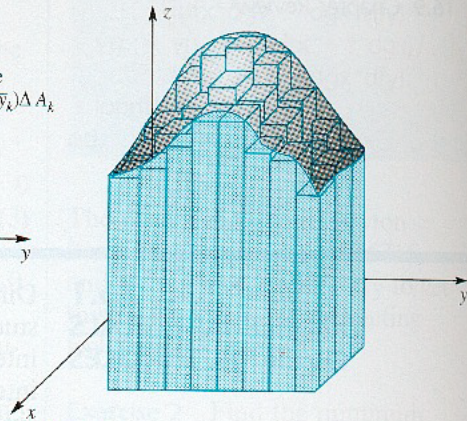


FIGURE 3

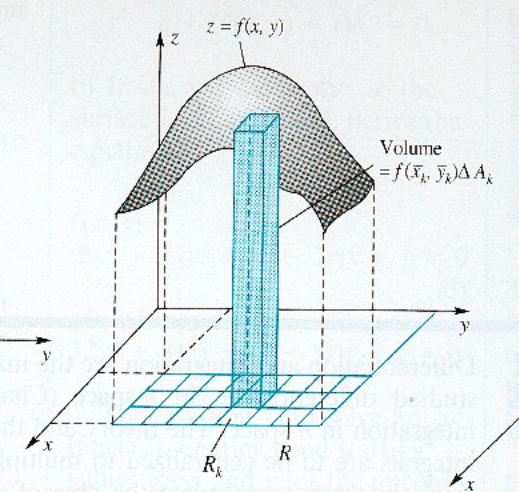


FIGURE 2

FIGURE

